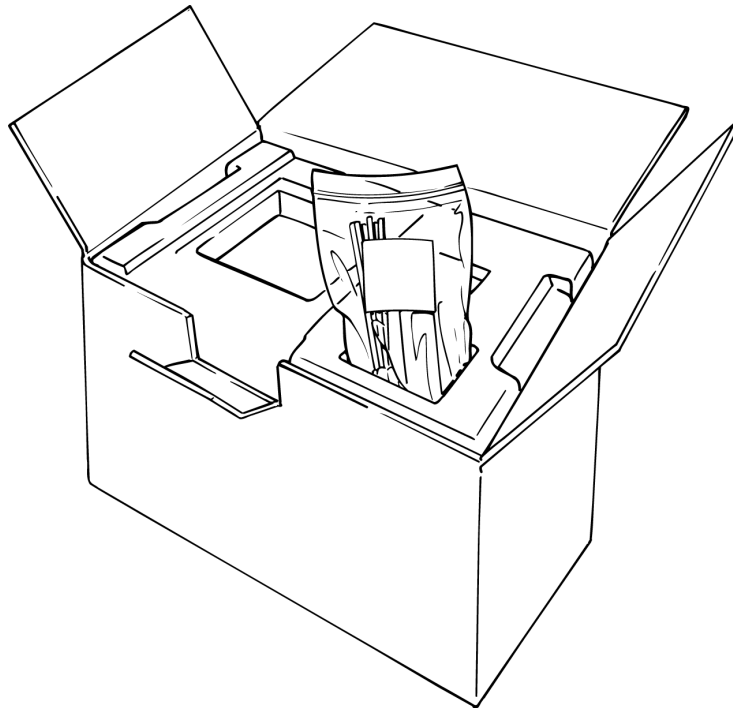


Unpacking the VariQuest™ Awards Maker 400

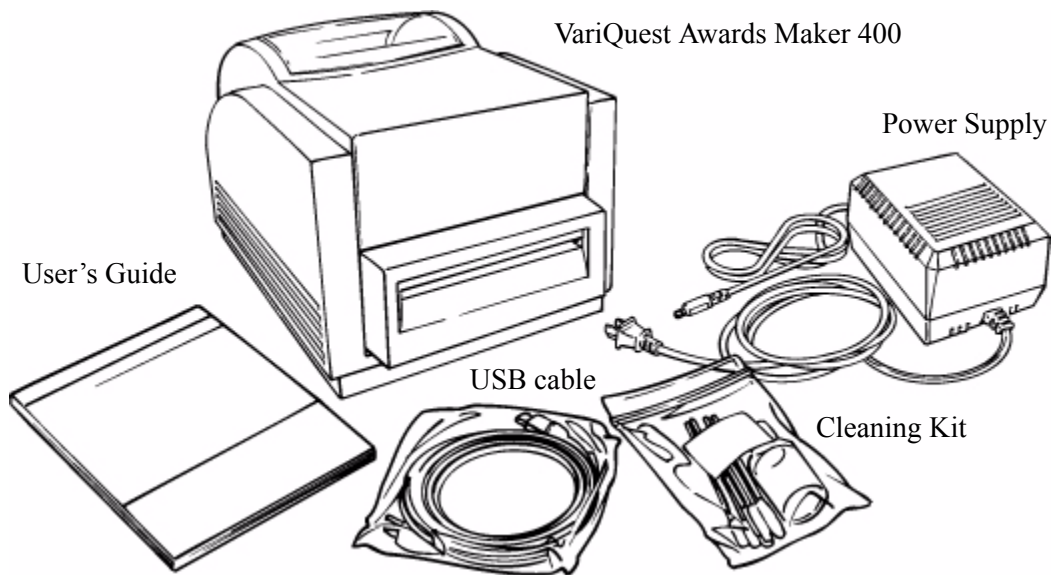
The VariQuest™ Awards Maker 400 is shipped in reusable packaging materials. Please save these packaging materials in case you need to ship the Awards Maker 400.

Contents of the Awards Maker Shipping Box

The Awards Maker is shipped in a single box that contains the printer, product documentation, and peripherals.



The contents are displayed below (if any item is missing, contact your Dealer or Varitronics®):



Unpacking the VariQuest™ Awards Maker 400 Box

1. Place the shipping box on a sturdy surface, making sure that the arrow side is facing **UP**.
2. Inspect the outer appearances of the box for damage.

Note: If there is apparent damage to the box, immediately notify your Dealer or Varitronics®.

3. Open the box and remove the protective foam packaging from the top of the unit.
4. Remove the **VariQuest™ Awards Maker 400 User's Guide** and the **Cleaning Kit** from the top of the foam packaging.
5. Remove the **Power Supply box** and the **USB cable** from the inside of the carton.
6. Carefully lift the **Awards Maker 400** from the box and place it on a table.
7. Remove the plastic covering from the printer (save the plastic covering in case you need to ship the printer).
8. Inspect the outer appearance of the printer for possible damage.
9. Raise the top cover of the printer to make sure the inner compartments are not damaged.

Note: If there is damage, immediately notify your Dealer or Varitronics®.

10. Remove packing tape from the sticker media holder.
11. Remove the sticker sample from the printer.
12. Refer to the **User's Guide** for help with the set-up and installation.

